



Light Duty Double Acting Spring Hinges

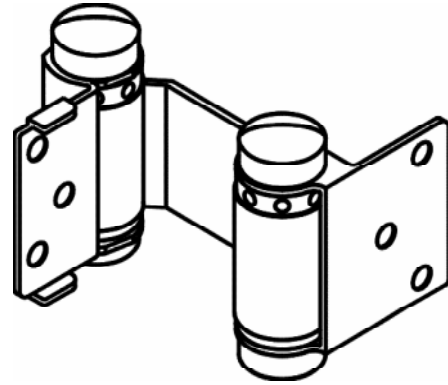
Light Duty Series

1514 - LOUVER DOOR HINGE
 FITS LOUVER DOORS 7/8" TO 1" THICK
ANSI K81243

1514H - LOUVER DOOR HINGE
 WITH HOLD OPEN FEATURE IN ONE DIRECTION
 FITS LOUVER DOORS 7/8" TO 1" THICK
ANSI K81243

1515 - LOUVER DOOR HINGE
 FITS LOUVER DOORS 1 1/8" TO 1 1/2" THICK
ANSI K81243

1515H - LOUVER DOOR HINGE
 WITH HOLD OPEN FEATURE IN ONE DIRECTION
 FITS LOUVER DOORS 1 1/8" TO 1 1/2" THICK
ANSI K81243



1514

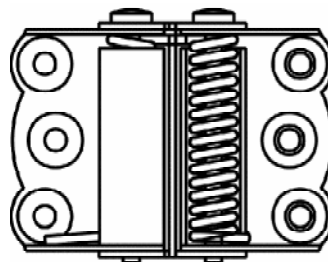
- NON-HANDED
- NON-TEMPLATE
- STEEL MATERIAL
- DOOR FLANGE SURFACE APPLIED OR MORTISED
- JAMB FLANGE SURFACE APPLIED
- EASILY ADJUSTABLE SPRING TENSION

NOTE:
 MAXIMUM DOOR WIDTH - 18"
 MAXIMUM DOOR WEIGHT - 18 lbs.
 MINIMUM DOOR HEIGHT - 42"

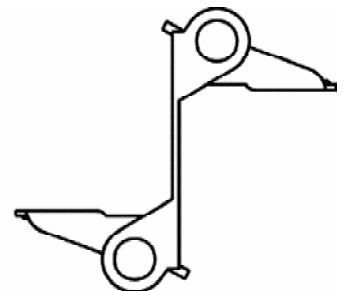
ITEM NUMBER	QUANTITY		WOOD SCREWS	AVERAGE WEIGHT PER CASE
	BOX	CASE		
1514	2 ea.	40 ea.	(6) 7x 3/4	20 lbs.
1514-H	2 ea.	40 ea.	(6) 7x 3/4 (4) 6 x 3/4	20 lbs.
1515	2 ea.	40 ea.	(6) 7x 3/4	20 lbs.
1515-H	2ea.	40 ea.	(6) 7x 3/4 (4) 6 x 3/4	20 lbs.

9700 - GATE HINGE
ANSI K84243

- NON-HANDED
- NON-ADJUSTABLE TENSION
- STEEL MATERIAL
- SURFACE APPLIED TO GATE AND JAMB
- FOR DOORS UP TO 1 1/8" THICK
- SIZE 2 3/4"
- (6) No. 7 x 3/4" WS, PER HINGE
- 12 HINGES PER CASE
- 8 lbs. AVERAGE WEIGHT PER CASE



Front View



Top View

SH-18

“Over 125 Years of Quality”