



Spring Pivots

7100 SERIES

ADJUSTABLE SPRING TENSION

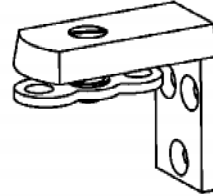
U.S. PATENT # 7,111,358

7112 - STEEL SURFACE PIVOT

8 PIVOTS PER CASE

CASE WEIGHT 28 lbs.

ANSI K63201

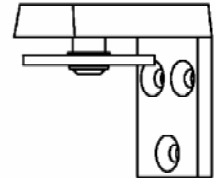
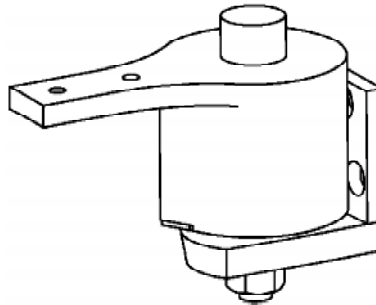


7122 - STEEL MORTISE PIVOT

8 PIVOTS PER CASE

CASE WEIGHT 28 lbs.

ANSI K63311



- CAST STEEL BASE MATERIAL
- DOUBLE ACTING
- ADJUSTABLE SPRING TENSION
- NON-HANDED
- MAXIMUM DOOR SIZE
WIDTH - 36"
THICKNESS - 2 1/2"
WEIGHT - 75 lbs.

- FITS DOORS NOT LESS THAN 1" THICK
- FLAT JAMB BRACKET - FITS JAMBS NOT LESS THAN 1 1/4" WIDE

- STANDARD PACKAGING ONE SET PER BOX

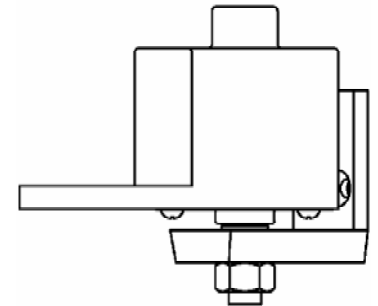
(1) PIVOT WITH BOTTOM JAMB BRACKET

(1) TOP PIVOT WITH JAMB BRACKET

(8) No. 12 x 1 1/4" FLAT HEAD WOOD SCREWS

(2) No. 10 x 1" FLAT HEAD WOOD SCREWS

7112



7122

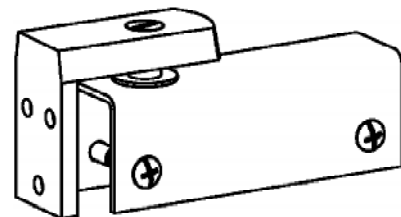
7114 - STEEL SURFACE PIVOT

BOX CLAMP DOOR BRACKET

6 PIVOTS PER CASE

CASE WEIGHT 30 lbs.

ANSI K63201



- CAST STEEL BASE MATERIAL
- DOUBLE ACTING
- ADJUSTABLE SPRING TENSION
- NON-HANDED
- MAXIMUM DOOR SIZE
WIDTH - 36"
THICKNESS - 1 1/8"
WEIGHT - 75 lbs.

- BOX CLAMP FITS DOORS 1 1/8" THICK
- FLAT JAMB BRACKET - FITS JAMBS NOT LESS THAN 1 1/4" WIDE

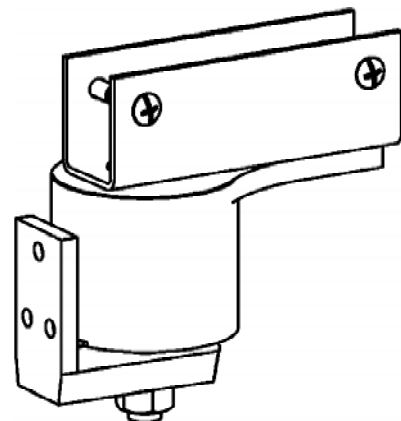
- STANDARD PACKAGING ONE SET PER BOX

(1) PIVOT WITH BOTTOM JAMB BRACKET

(1) TOP PIVOT WITH JAMB BRACKET

(6) No. 12 x 1 1/4" FLAT HEAD WOOD SCREWS

(4) THRU BOLTS AND NUTS



7114

SP-4

"Over 125 Years of Quality"