

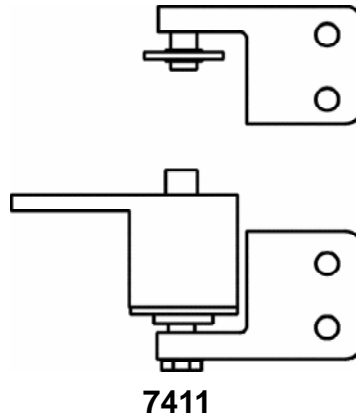


Gravity Pivots 7400 SERIES

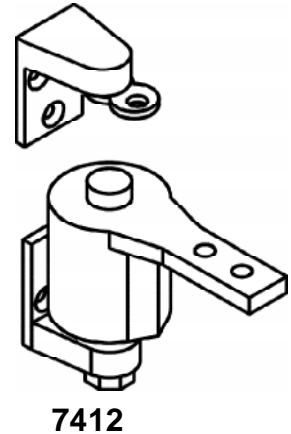
7411 - BRASS SURFACE PIVOT
BOX CLAMP JAMB BRACKET
8 PIVOTS PER CASE
CASE WEIGHT 20 lbs.
ANSI K22011

7412 - BRASS SURFACE PIVOT
8 PIVOTS PER CASE
CASE WEIGHT 18 lbs.
ANSI K22011

- BRASS
- DOUBLE ACTING
- DOOR WEIGHT CLOSSES DOOR - NO SPRING
- NON-HANDED
- MAXIMUM DOOR SIZE
WIDTH - 30"
THICKNESS - 1 7/8"
WEIGHT - 35 lbs.
- FITS DOORS NOT LESS THAN 3/4" THICK
- FLAT JAMB BRACKET - FITS JAMBS NOT LESS THAN 1 1/4" WIDE
- BOX CLAMP JAMB BRACKET FITS 1 1/8" AND 1 1/4" THICK JAMB ONLY
- STANDARD PACKAGING ONE SET PER BOX
(1) PIVOT WITH BOTTOM JAMB BRACKET
(1) TOP PIVOT WITH JAMB BRACKET
(8) No. 12 x 1 1/4" FLAT HEAD WOOD SCREWS
(2) No. 10 x 1" FLAT HEAD WOOD SCREWS
(4) THRU-BOLTS FOR BOX CLAMP



NOTE:
PLEASE SPECIFY
STYLE OR JAMB THICKNESS
WHEN ORDERING 7411



7512 - STANDARD PIVOT

7512-H - HOLDS DOOR OPEN AT 90 DEGREES
20 PIVOTS PER CASE - CASE WEIGHT 17 lbs.

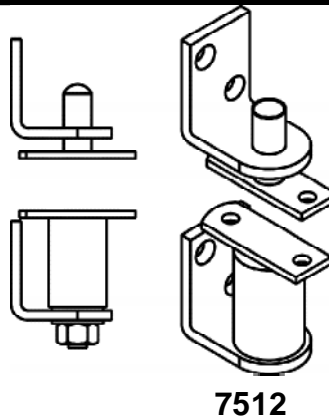
- STEEL
- DOUBLE ACTING
- DOOR WEIGHT CLOSSES DOOR - NO SPRING
- NON-HANDED
- MAXIMUM DOOR SIZE
WIDTH - 30"
THICKNESS - 1 5/8"
WEIGHT - 50 lbs.
- FITS JAMBS NOT LESS THAN 1 1/4" WIDE

7514 - STANDARD PIVOT

BOX CLAMP DOOR BRACKET

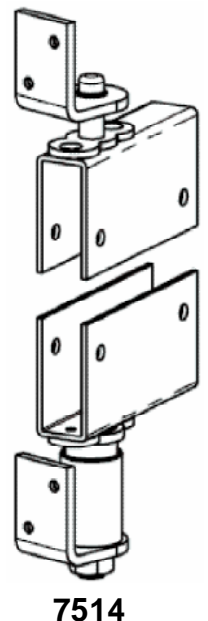
7514-H - HOLDS DOOR OPEN AT 90 DEGREES
BOX CLAMP DOOR BRACKET
10 PIVOTS PER CASE - CASE WEIGHT 20 lbs.

- STEEL
- DOUBLE ACTING
- DOOR WEIGHT CLOSSES DOOR - NO SPRING
- NON-HANDED
- MAXIMUM DOOR SIZE
WIDTH - 30"
THICKNESS - 3/4"
WEIGHT - 50 lbs.
- FITS JAMBS NOT LESS THAN 1 1/4" WIDE
- DOOR BOX CLAMP - FITS DOORS 3/4" THICK



Gravity Pivots 7500 SERIES FOR LOUVER DOORS U.S. PATENT # 7,013531

- STANDARD PACKAGING ONE SET PER BOX
(1) PIVOT WITH BOTTOM JAMB BRACKET
(1) TOP PIVOT WITH JAMB BRACKET
(8) No. 10 x 1" FLAT HEAD WOOD SCREWS
(4) THRU-BOLTS FOR BOX CLAMP



SP-7

“Over 125 Years of Quality”