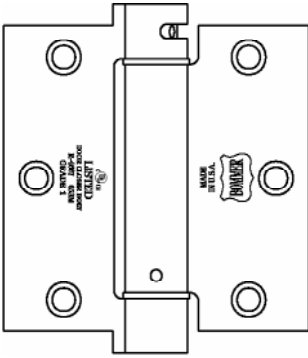




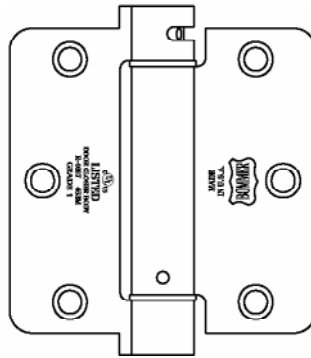
Single Acting Spring Hinges

LUBE BEARING LB4300 SERIES
PATENT 6,460,220

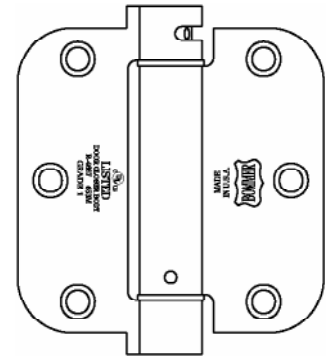
cULUS LISTED GRADE 1
BHMA Certified Grade 1
For 1 MILLION CYCLES



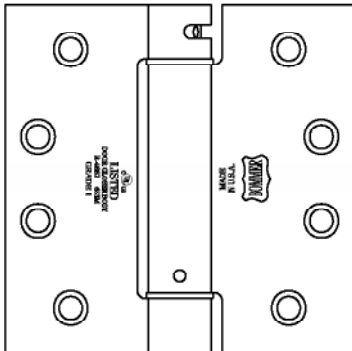
LB4310-350
Square Corner



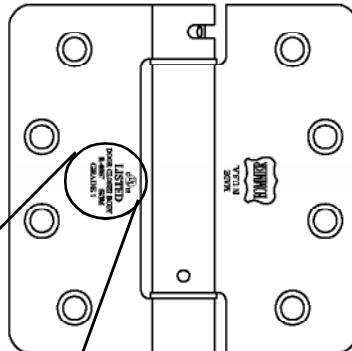
LB4311-350
1/4" Radius



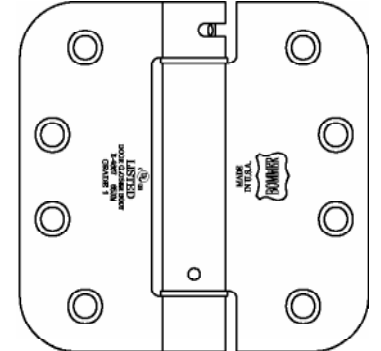
LB4312-350
5/8" Radius



LB4310-400
Square Corner



LB4311-400
1/4" Radius



LB4312-400
5/8" Radius



All Bommer LB4300 Series Hinges Have the UL Listing Mark Stamped on each Hinge

SH-4

“Over 125 Years of Quality”