

ELECTRIFIED CLOSER/HOLDER SMOK-CHEK® VI

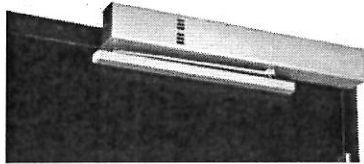


4 PULL NON-DETECTED PULL SIDE MOUNTING/ 6 PULL DETECTORED PULL SIDE MOUNTING

Application

- Patient room doors
- Maximum door weight 250 lbs.
- Handed
- Door width 2'4" - 4'0"

ANSI/C00351/C00361/
C00371/C00381

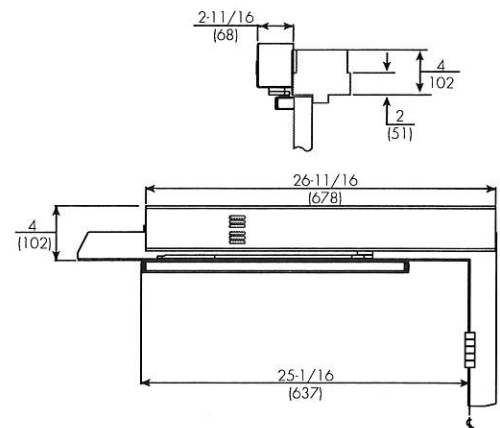


Product Description & Features

- Pull side mounted
- Free swing arm available (prefix "FS")
- Maximum door opening 180°
Maximum hold open 175°
- Double egress arm available for reveals deeper than 1/8" up to 3" (prefix "DE").
Maximum opening 110°
- Single point hold open preset at factory (85°-175°)
- 4 PULL can be used with smoke detectors or as a slave unit to the 6 PULL
- 2" clearance required above 2" frame
- Sex bolts included standard
- 4 PULL available in 24VDC only
- 120VAC input is stepped down to 24VDC solenoid
- Sprayed finishes

Technical Information

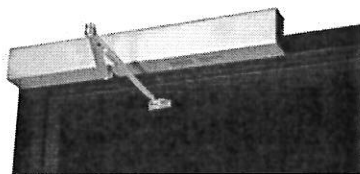
- Non-detected 24VDC 70ma
- When 4 PULL and 6 PULL are ordered for a single pair of double doors, 4 PULL must be 24VDC
- Detected 24VDC 86ma standby, 105ma alarm



4 PUSH NON-DETECTED PUSH SIDE MOUNTING/ 6 PUSH DETECTORED PUSH SIDE MOUNTING

Application

- Patient room doors or stairwell
- Maximum door weight 250 lbs.
- Handed
- Door width 2'4" - 4'0"



ANSI/C00311/C00321

Product Description & Features

- Push side (stop) mounted
- Maximum door opening 180°
Maximum hold open 175°
- Selective Hold Open (Standard) – single point hold open preset at factory (85°-175°)
- 4 PUSH can be used with smoke detectors or as a slave unit to the 6 PUSH
- 4 PUSH available in 24VDC only
- 120VAC input is stepped down to 24VDC solenoid
- Sprayed finishes

Technical Information

- Non-detected 24VDC 70ma
- When 4 PUSH and 6 PUSH are ordered for a single pair of double doors, 4 PUSH must be 24VDC
- Detected 24VDC 86ma standby, 105ma alarm

