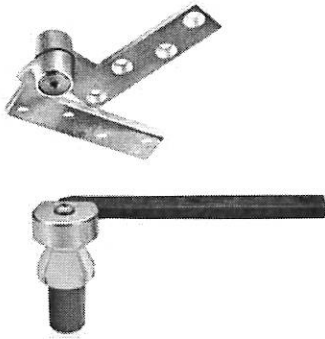


MODEL 173

Application

- Interior Doors
- Weight 150 lbs
- Door Sizes up to 3'0" x 8'0" x 1-3/4"
- Handed



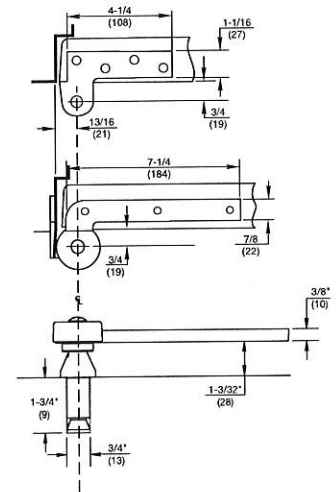
ANSI/C07162/C07202

Product Description & Features

- Standard top pivot 180 included
- 119 intermediate pivot recommended for all doors over 6'8" (order separately) see page 18
- Bottom pivot mounts directly to concrete floor
- Uses same arm and cap as 117 pivot set
- Non-ferrous base metal
- 3/4" offset only (measured from centerline of pivot to face of door)
- Available for 1-1/2" (38mm) offset (**door weight 100 lbs**) for doors with cladding or frame molding
- Door edges must be beveled 1/8" in 2"
- Furnished with wood and metal screws
- 3/8" vertical adjustment
- No spindle extensions available
- Door will swing 180°, trim permitting

Technical Information

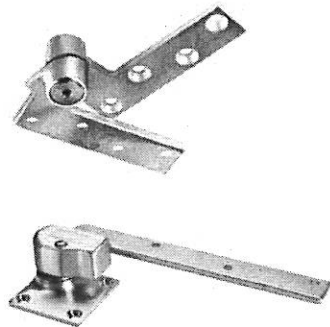
Frame stop required



MODEL 147

Application

- Exterior or Interior Doors
- Weight to 600 lbs.*
- Door Width up to 4'0" (1219mm)
- Handed



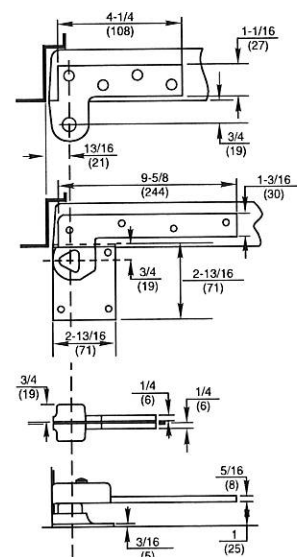
ANSI/C07162/C07202

Product Description & Features

- Standard top pivot 180 included
- M19 intermediate pivot required (order separately); see page 18
- Bottom pivot mounts directly to floor
- Uses same arm and cap as 27 floor closer
- Available for fire door assemblies up to three hours (ferrous material) – specify F147. Intermediate pivot required by UL. Specify FM19 (order separately), see page 18
- For 20-minute label suffix "-20" to the part number
- Non-ferrous base material
- Doors 60" (1524mm) to 90" (2286mm) in height should use one intermediate pivot. Each additional 30" (762mm) of door height warrants another intermediate pivot
- 3/4" (19mm) offset (measured from centerline of pivot to face of door)
- Available for 1-1/2" (38mm) offset (**door weight 350 lbs.**) for doors with cladding or frame molding
- Door edges must be beveled 1/8" in 2"
- Furnished with wood and machine screws
- Extended spindles available in 1/2" (13mm) increments up to 2" (51mm) longer than standard
- Doors will swing 180°, trim permitting

Technical Information

Frame stop required



* Door size & weight guidelines are determined using the appropriate number of intermediate pivots