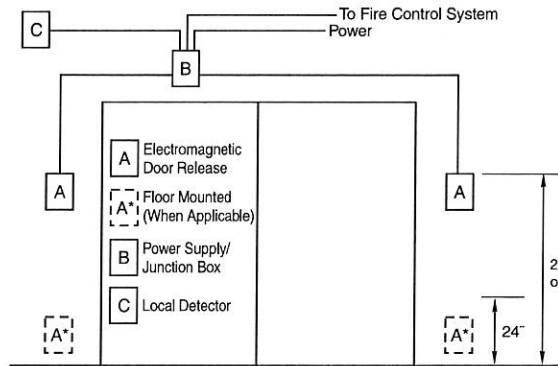


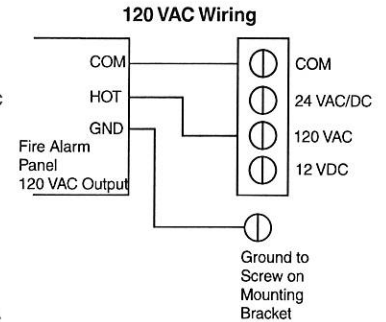
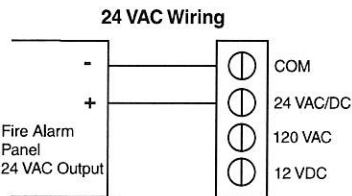
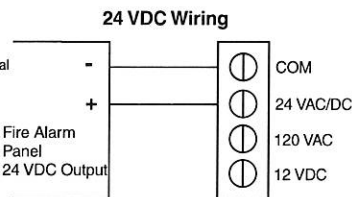
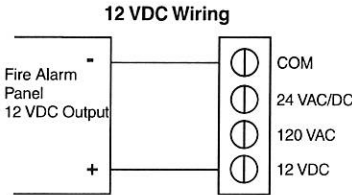
ELECTROMAGNETIC DOOR HOLDER/RELEASES SCHEMATICS AND ACCESSORIES

SCHEMATICS



Operation Narrative

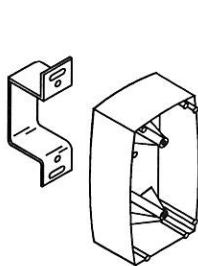
Doors are to be normally held open. The electromagnetic door releases will be energized with the voltage shown (at right) in the hardware set for this opening. Power shall be controlled by the fire control system. It will interrupt the power if alarmed, causing the doors to be released, thus allowing the door closers to close the doors. When power is restored the magnets will re-energize, permitting the doors to be manually returned to their held open position.



Electrical Specifications:
12VDC @ .040AMPS
24 VAC/DC @ .020 AMPS
120 VAC @ .020 AMPS
(or see specific model)

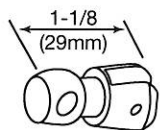
NOTE: All wiring must be installed in compliance with the National Electrical Code and the local codes having jurisdiction. Proper wire gauge should be used.

ACCESSORIES

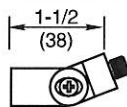
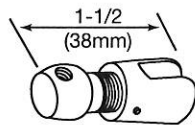


Base Unit Armature Extension
Mounts between armature and contact plate.
Part# 900
Cannot be used with model 994

1-1/2" (38mm) Extension
(for use only with Models 997, 998 & 994)
Mounts behind wall cover.
XK996
Part# 996631-*



994 Swivel Armature
(cannot be used with extension spacers)
Part# 900-3



Armature Extension 90° Bend
Part# 900-Z
Must be used with 900 base unit. Those two pieces will extend armature 3" longer than the contact plate.

Spacer lengths - must be used with 900 base

Spacer Part#	Length
900-700	7"
900-600	6"
900-500	5"
900-400	4"
900-300	3"
900-200	2"
900-100	1"
900-75	3/4"
900-50	1/2"

Extension pieces must be used in conjunction with 900 Base Unit